



# TURNKEY PORCH ENCLOSURES

WWW.TURNKEYPORCH.COM



## WHY TURNKEY PORCH?

- DESIGN SERVICES
- MANUFACTURING
- INSTALLATION SERVICES
- POST-INSTALLATION SERVICING
- TRADE PARTNER DISCOUNTS

BETTER FINISH

BETTER SCREENS

BETTER GLAZING



BetterVue<sup>®</sup>  
BY PHIFER



## Available Frame Colors



White



Monterey Sand



Black

## Available Vinyl Tints

Clear



Smoke



Dark

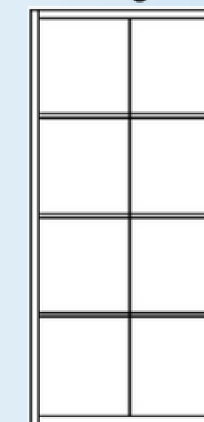


## WHO IS TURNKEY PORCH?

TURNKEY PORCH ENCLOSURES IS A RICHMOND, VIRGINIA-BASED MANUFACTURER THAT SPECIALIZES IN THE DESIGN, MANUFACTURE, AND INSTALLATION OF THREE-SEASON PORCH ENCLOSURE SYSTEMS. THE COMPANY'S PRODUCT AND SERVICES SUITE IS TAILORED TO ADDRESS HOMEOWNERS' DESIRES FOR UPSCALE OUTDOOR LIVING SPACES, OFFERING PROTECTION FROM UNPREDICTABLE WEATHER, INSECTS, AND POLLEN.

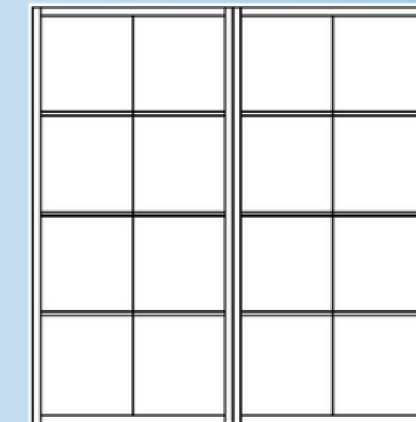
## Vertical 4 Vent Configurations

Single



Min/Max Width  
24" - 54"

Twin

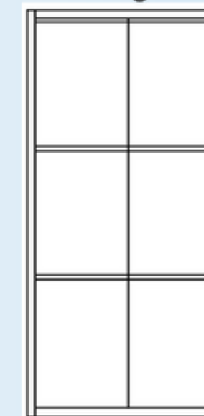


Min/Max Width  
55" - 102"

Max Height  
106"

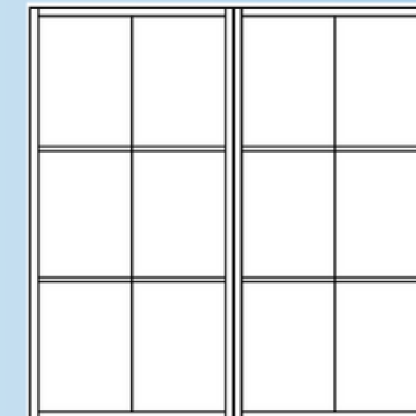
## Vertical 3 Vent Configurations

Single



Min/Max Width  
24" - 54"

Twin

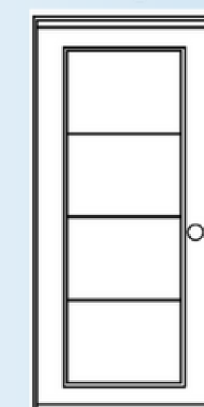


Min/Max Width  
55" - 96"

Max Height  
106"

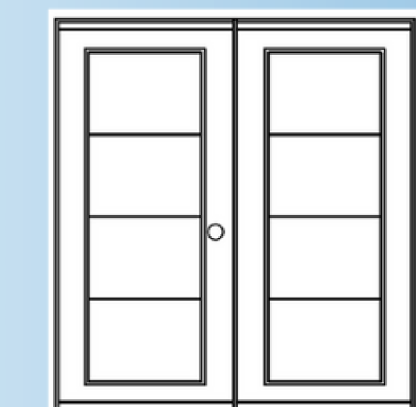
Doors

Single



Min/Max Width  
24" - 42"

French

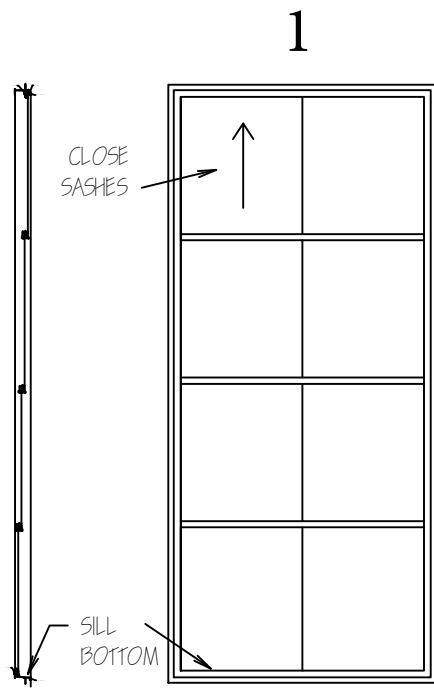


Min/Max Width  
72" - 84"

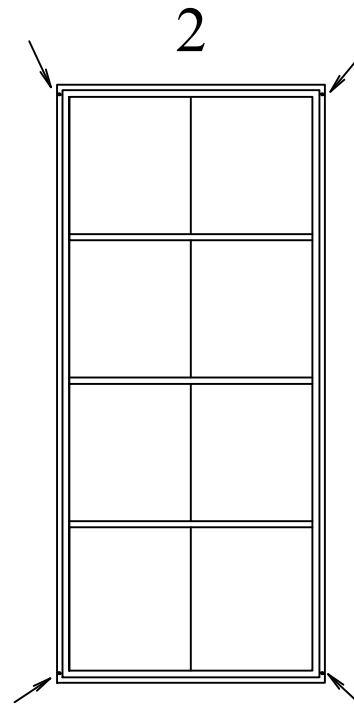
Max Height  
96"

# TURNKEY PORCH ENCLOSURES

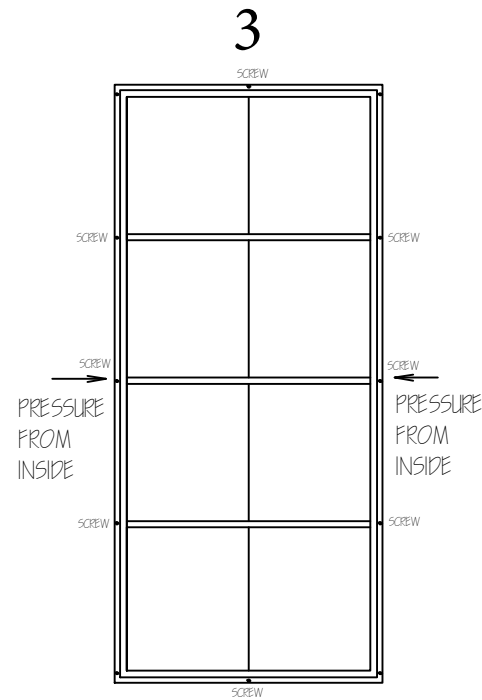
## INSTALLATION INSTRUCTIONS



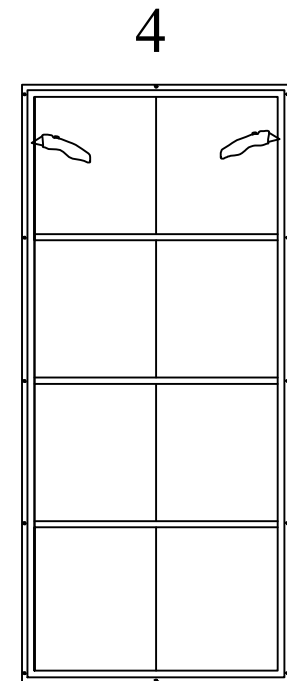
**STEP ONE:**  
CLOSE THE SASHES AND INSURE THE UNIT IS RIGHT SIDE UP.



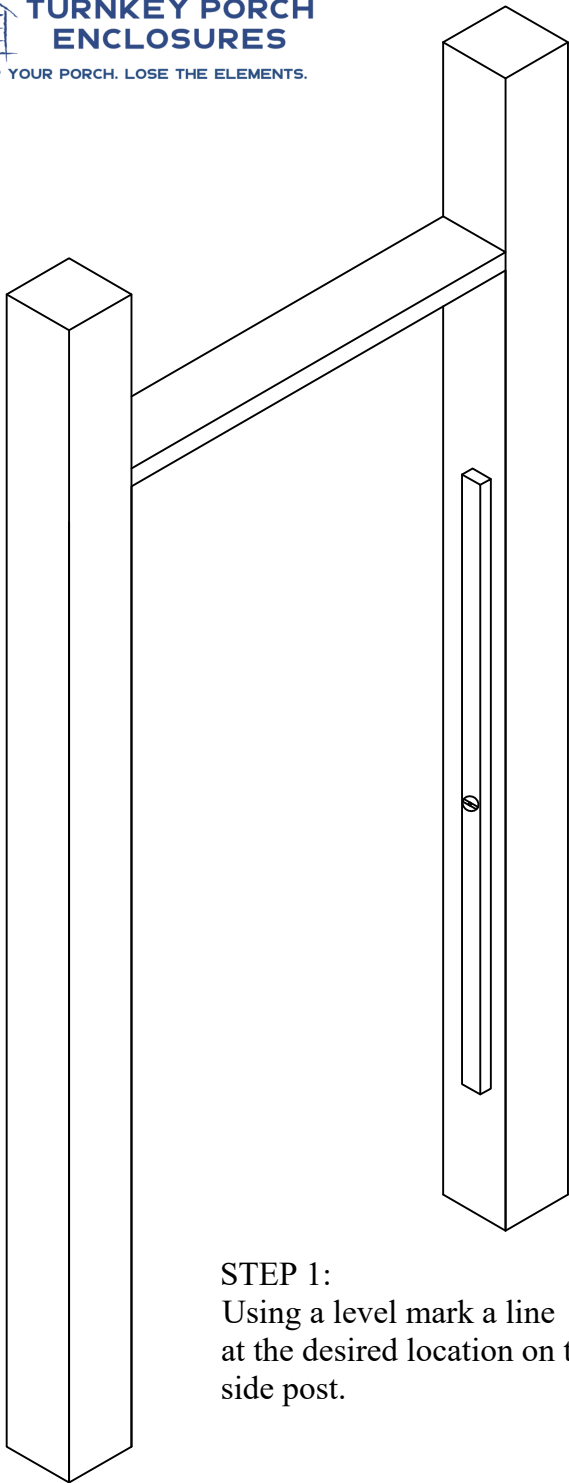
**STEP TWO:**  
PLACE UNIT IN OPENING AND PUSH UP AND CENTER SIDE TO SIDE IN OPENING. INSTALL SUPPLIED SCREWS AT EACH CORNER



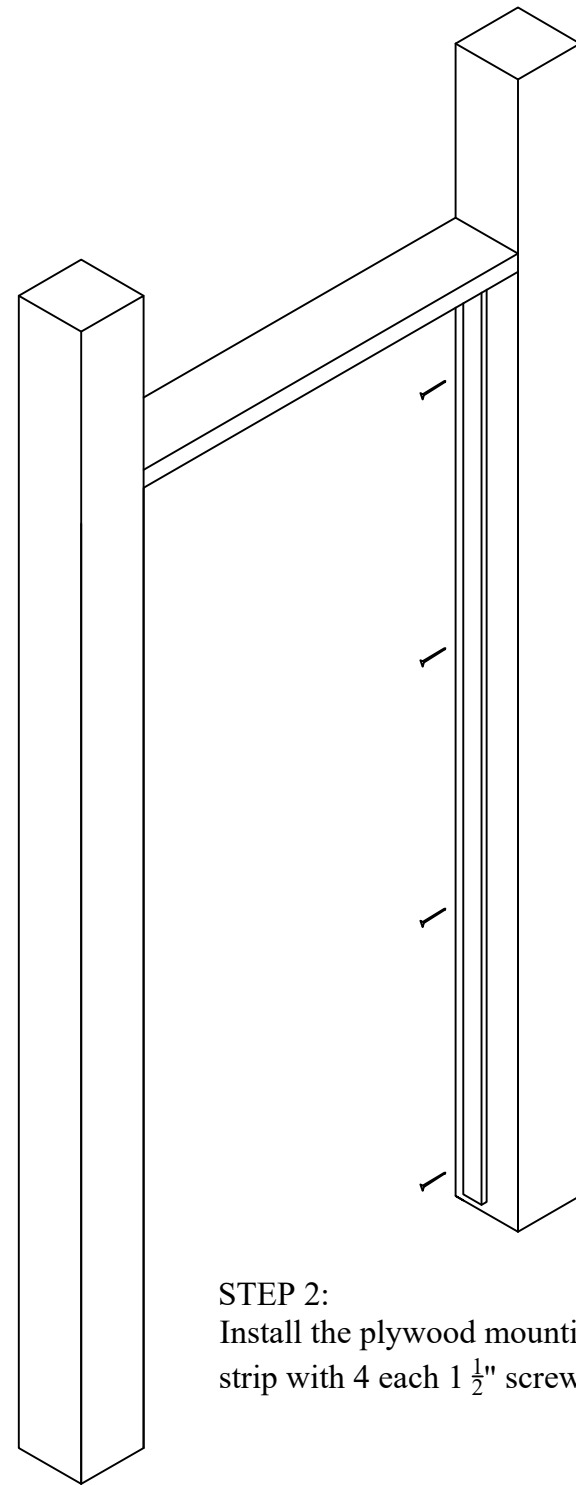
**STEP THREE:**  
CHECK TO SEE IF SASHES ARE HOLDING IN PLACE WHEN OPENED. IF NOT, APPLY PRESSURE TO THE SIDES USING SHIMS OR 5 IN 1 AND INSTALL REMAINING SCREWS.



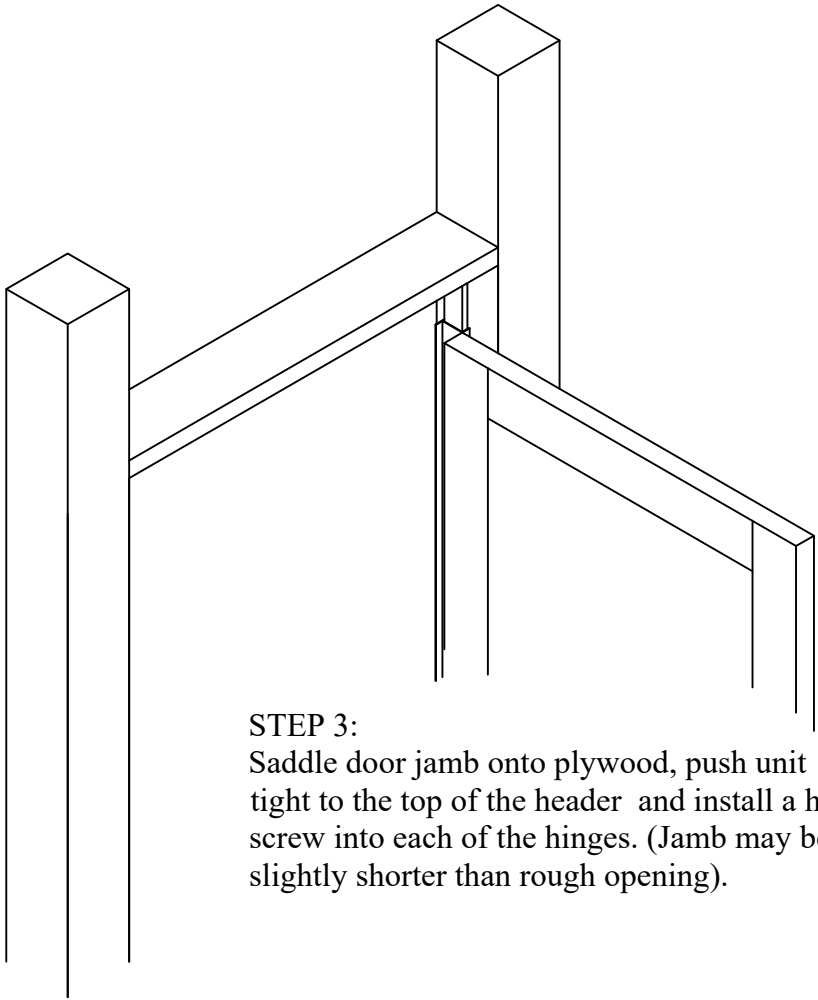
**STEP FOUR:**  
TIGHTEN SCREEN IF NEEDED BY REMOVING RUBBER GASKET FROM ONE SIDE AND RE APPLY. TRIM SCREEN WHEN DONE.



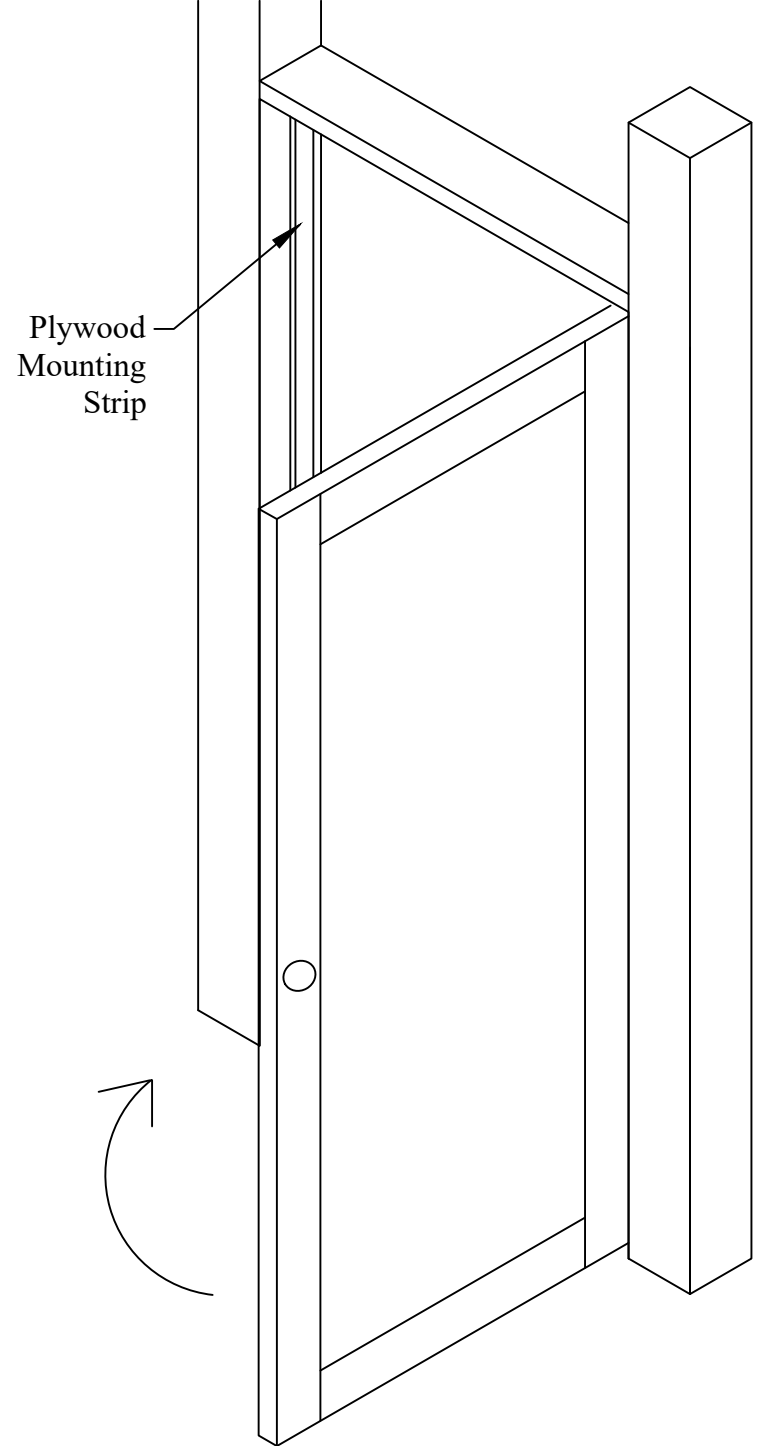
**STEP 1:**  
Using a level mark a line  
at the desired location on the hinge  
side post.



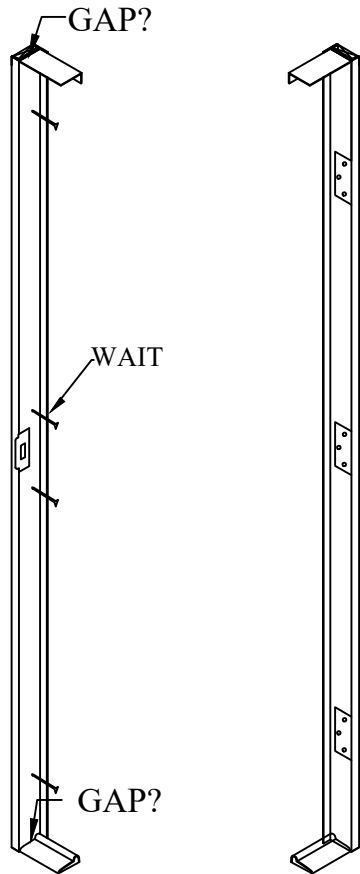
**STEP 2:**  
Install the plywood mounting  
strip with 4 each 1 1/2" screws.



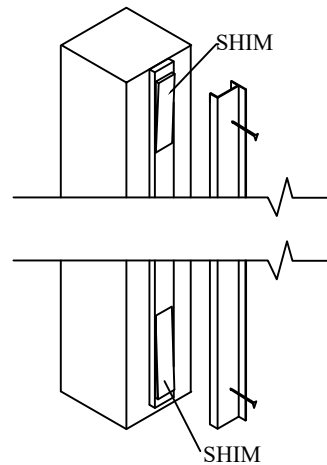
**STEP 3:**  
Saddle door jamb onto plywood, push unit tight to the top of the header and install a hinge screw into each of the hinges. (Jamb may be slightly shorter than rough opening).



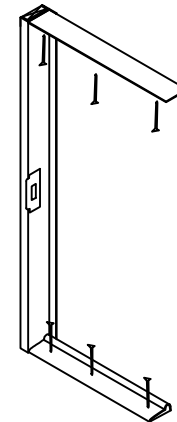
**STEP 4:**  
Close door and mark where the strike jamb will be installed. Install plywood mounting strip. (Same as step 2)



**STEP 5:**  
Before installing screws in the strike side jamb check the spacing of the top member and the threshold.  
If there is a gap then the jamb will need shims installed to pad it to a correct fit.  
(Some rough openings vary from top to bottom.)

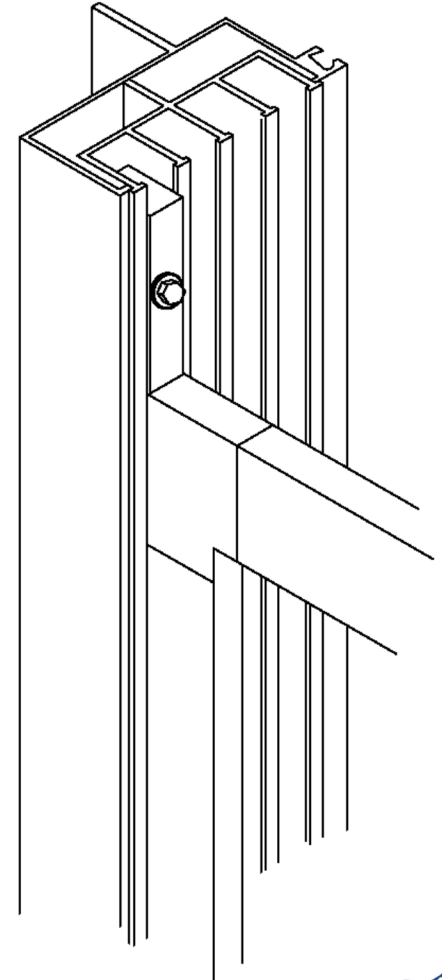
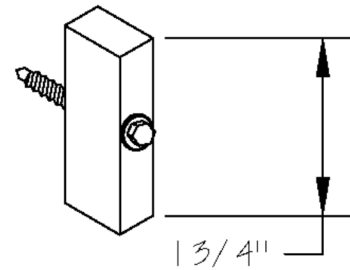
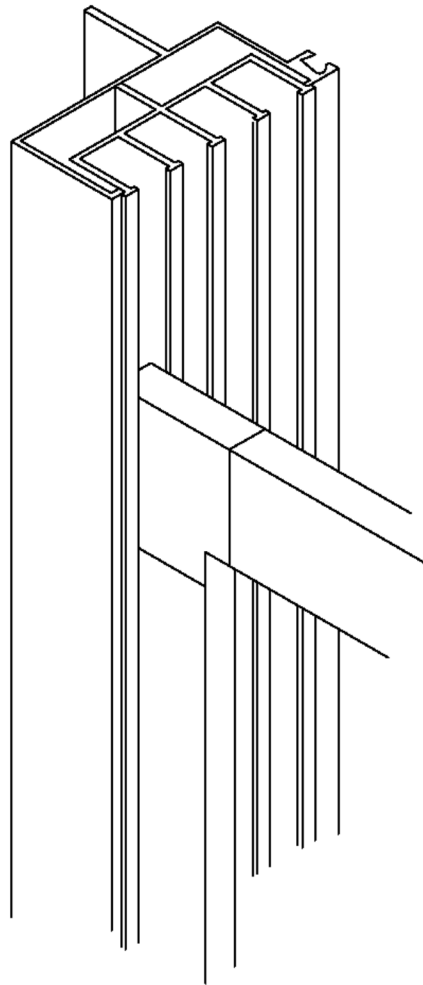
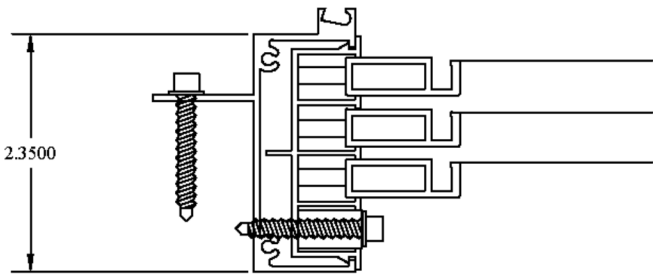


**STEP 6: SHIMS**  
If the top member or sill shows a gap you will need to install shims between the plywood and the jamb. This allows for irregularities in post dimensions.



**STEP 7:**  
Install threshold and top member screws. Install door knob.  
Adjust top and bottom sweeps and install screws for permanent positioning.

# VENT LOCK PRODUCT AND PROCEDURE



SCREW SPECIFICATIONS:  
MANUFACTURER- LELAND INDUSTRIES INC.  
10 - 16 SELF DRILLING  
CARBON & STAINLESS STEEL  
MINIMUM TENSILE STRENGTH- 2430 lbs.  
MINIMUM TORTIONAL STRENGTH- 95 in.-lbs  
MINIMUM SHEAR STRENGTH- 1460 lbs.  
THREAD LENGTH - 1.25"





# TURNKEY PORCH ENCLOSURES

KEEP YOUR PORCH. LOSE THE ELEMENTS.

## FALL RAIL INSTALLATION AND SPECIFICATIONS

### SCREW SPECIFICATIONS:

MANUFACTURER- LELAND INDUSTRIES INC.  
10 - 16 SELF DRILLING  
CARBON & STAINLESS STEEL  
MINIMUM TENSILE STRENGTH- 2430 lbs.  
MINIMUM TORSIONAL STRENGTH- 95 in.-lbs  
MINIMUM SHEAR STRENGTH- 1460 lbs.  
THREAD LENGTH - 1.25"

